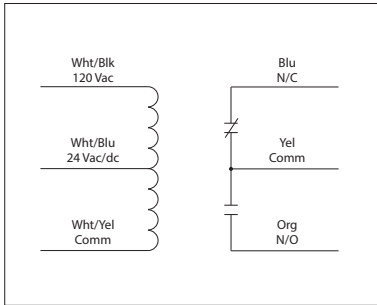


**20 AMP POWER CONTROL RELAYS**

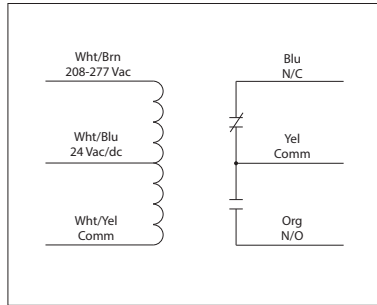
**RIB2401B**

Enclosed Relay 20 Amp SPDT with 24 Vac/dc/120 Vac Coil



**RIB2402B**

Enclosed Relay 20 Amp SPDT with 24 Vac/dc/208-277 Vac Coil



RELAYS

**SPECIFICATIONS**

- # Relays & Contact Type: One (1) SPDT Continuous Duty Coil
- Expected Relay Life: 10 million cycles minimum mechanical
- Operating Temperature: -30 to 140° F
- Humidity Range: 5 to 95% (noncondensing)
- Operate Time: 18ms
- Relay Status: LED On = Activated
- Dimensions: 2.30" x 3.20" x 1.80" with .50" NPT Nipple
- Wires: 16", 600V Rated
- Approvals: UL Listed, UL916, UL864, C-UL California State Fire Marshal
- Housing Rating: UL Accepted for Use in Plenum, NEMA 1
- Gold Flash: No
- Override Switch: No

- Contact Ratings:
  - 20 Amp Resistive @ 277 Vac
  - 5 Amp Resistive @ 480 Vac
  - 20 Amp Ballast @ 277 Vac
  - 16 Amp Electronic Ballast @ 277 Vac (N/O)
  - 10 Amp Tungsten @ 120 Vac (N/O)
  - 770 VA Pilot Duty @ 120 Vac
  - 1,110 VA Pilot Duty @ 277 Vac
  - 2 HP @ 277 Vac
  - 1 HP @ 120 Vac

- Coil Current:
 

50 mA @ 18 Vac	33 mA @ 22 Vdc
83 mA @ 24 Vac	35 mA @ 24 Vdc
47 mA @ 120 Vac (RIB2401B)	47 mA @ 30 Vdc
69 mA @ 208-277 Vac (RIB2402B)	

- Coil Voltage Input:
  - 24 Vac/dc ; 120 Vac ; 50-60 Hz (RIB2401B)
  - 24 Vac/dc ; 208-277 Vac ; 50-60 Hz (RIB2402B)
  - Drop Out = 2.1 Vac / 3.8 Vdc
  - Pull In = 18 Vac / 22 Vdc